

SONY.

Hi-Fi Products
Service Bulletin

Sony Service Company - Technical Services
A Division of Sony Corporation of America
Sony Drive, Park Ridge, New Jersey 07656

Model: GEN-CDP

No.327

Subject: Part Number Missing -disc table roller

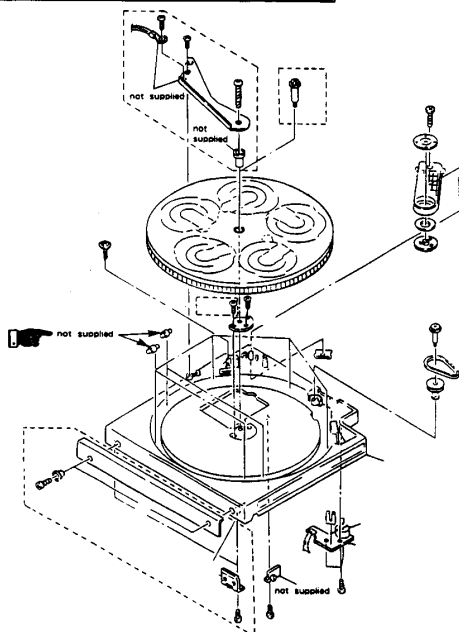
Date: March 19, 1993

Symptom:
(**)

The part number for the disc table rollers which are shown as not supplied in the Service Manual, is not listed in the parts list.

Solution: Please add the following part number to the Service Manual.

DESCRIPTION	PART NUMBER
DISC TABLE ROLLER	X-4924-457-1



CD Player
CSA-13

Reference: FPR-N2533



PRINTED ON RECYCLED PAPER

PRINTED IN U.S.A.
CSA-13393-2